



THE SMART
CHOICE

for cost-effective and
hassle-free loading
dock solutions.

METRO DOCK MECHANICAL DOCK LEVELER



Model: MD663016
Shown with optional full
range operating toe guards.

The Mechanical Dock Leveler is manually operated and easy to use: to operate, simply pull the release chain located at the rear of the deck; the dock will rise and the lip will extend; at which point the dock leveler can be walked down onto the truck bed for safe loading or unloading.

FEATURES

Economical: Designed to be a budget-friendly solution without compromising on quality for basic loading dock applications.

Easy to Use: Manual operation makes it effortless to operate, ensuring smooth loading and unloading processes.

Solid Construction: Formed beam and I-beam constructions assure durability, while heavy-duty extension springs enable smooth operation under heavy loads.

BENEFITS

Cost Savings: An economical solution providing businesses save on initial investment and long-term maintenance costs.

Efficiency: Enhance productivity by streamlining the loading and unloading process with a simple pull of the release chain.

Safety: Ensure operator safety with the reliable deep tooth ratchet hold-down system, minimizing slippage risks during operation.



Reliability. Durability. Excellence.

MECHANICAL DOCK LEVELER

STANDARD FEATURES

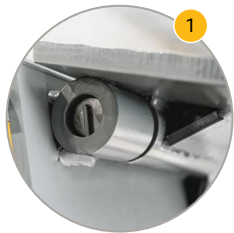
ECONOMICAL.
**EASY
TO USE.**

SPECIFICATIONS

- 30,000 lb. capacity
- Formed beam construction
- 16" reach lip
- Weather seals - 3 sides
- Deep tooth ratchet hold-down
- Working range toe guards
- Maintenance stand

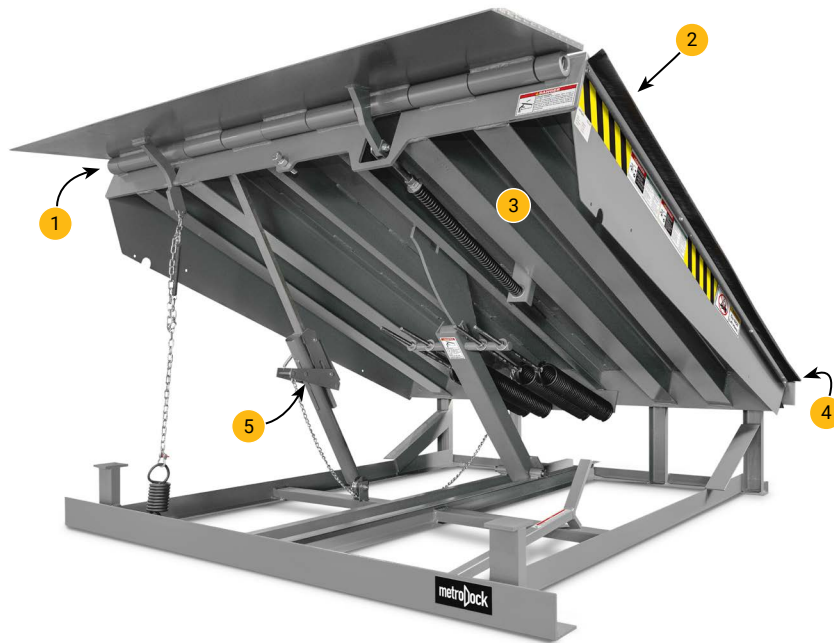
OPTIONS

- Up to 50,000 lb. capacity
- I-beam construction
- 18" and 20" reach lip
- Full range operating toe guards
- Hold-down with auto-reset on float spring
- 3 wheel forklift bracing
- Brush weather seal - 3 sides
- Hot dipped galvanized
- Additional options available



Lip Hinge & Pin

A high-tensile seamless tube (tensile strength of 96,425 PSI) with a one-piece hinge pin, ensures superior strength and durability.



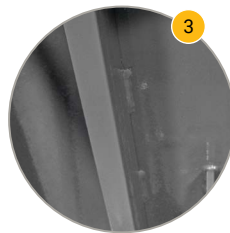
Deep Tooth Ratchet Hold-down System

A complete system with an integrated float spring reduces premature wear, extending the life of the hold-down.



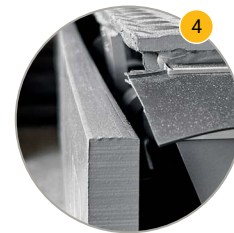
Deck Plate

Minimum 1/4" thick high-tensile checker deck plate used on all dock levelers.



Construction

High tensile formed "A" beam, a standard on docks up to 35,000 lb. capacity. Wide flange I-beam construction on capacities 40,000 lb. up to 50,000 lb.



Rear Hinge Tilt

Rear hinge tilt adjusts seamlessly to accommodate uneven truck load approaches.

Also Provided by Metro Dock:

- Dock Seals and Shelters
- Dock Bumpers
- Truck Restraints
- Dock Accessories
- Dock Planning Options
- Aftermarket Items

For a complete list of Metro Dock products and accessories, please visit: metrodock.com

