

STATIONARY SCISSOR LIFT TABLES

Curb angle use 3" x 3" x 0.25" (75 x 75 x 6mm) and anchor center distance of 24" (610mm) maximum.

Perimeter of pit floor must be kept level.

- E Deck width plus 2" (50mm). Additional 1" (25mm) for each lip on side "B" or "D"
- F Deck length plus 2" (50mm). Additional 1" (25mm) for each lip on side "A" or "C"
- G Lowered height + 0.25" - 0" (+ 6mm - 0)

Power and control arrangements:

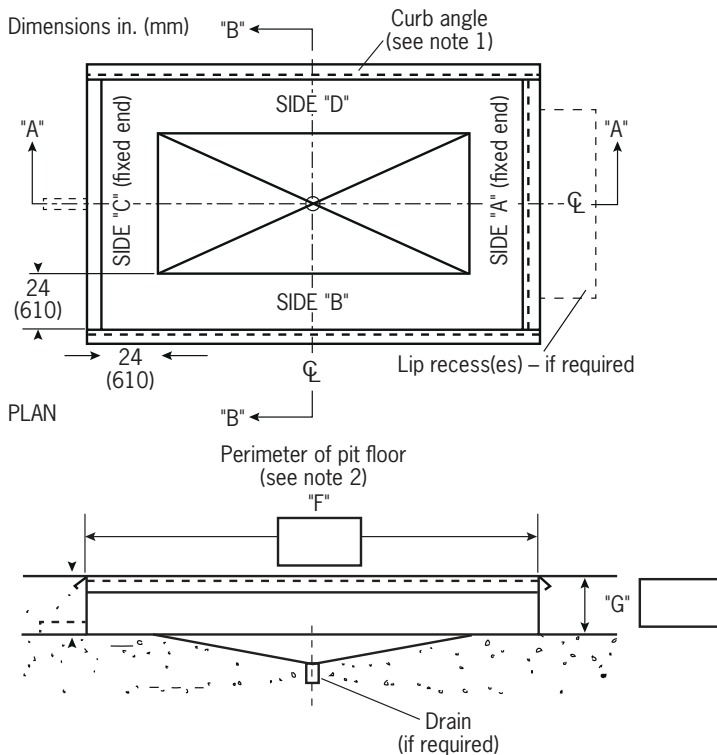
Metrodock to supply elevating dock, power pack and push button station only. All interior connecting conduit(s), wiring, disconnect and connection to power supply by others in compliance with local codes.

Power and control conduits:

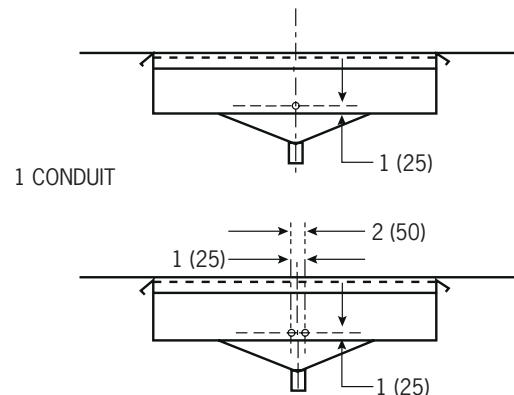
- Remote power pack and push button
Provide one 1.5" (40mm) conduit for hydraulic hose.
- Remote power pack, up limit switch and/or safety trip bars
Provide one 1" (25mm) I.D. rigid conduit for electrical wiring and one 1.5" (40mm), 75 or 80 p.s.i. poly or plastic pipe for hydraulic hose.

Model:
Voltage:
Lip Recess(es):
Lip Recess(es) on Side(s):
Customer:
Approved for Construction:
Purchase Order #:

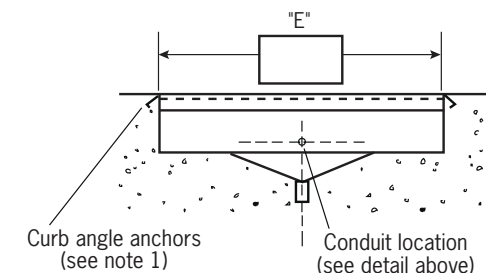
PIT MUST BE KEPT SQUARE
Dimension tolerances ± 0.25" (6mm); unless stated otherwise.



SECTION A - A



2 CONDUITS
Avoid kinking -do not overbend poly or plastic pipe.



SECTION B - B