

### MODEL S70 SPECIFICATIONS

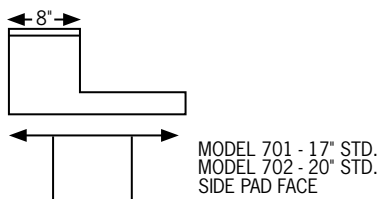
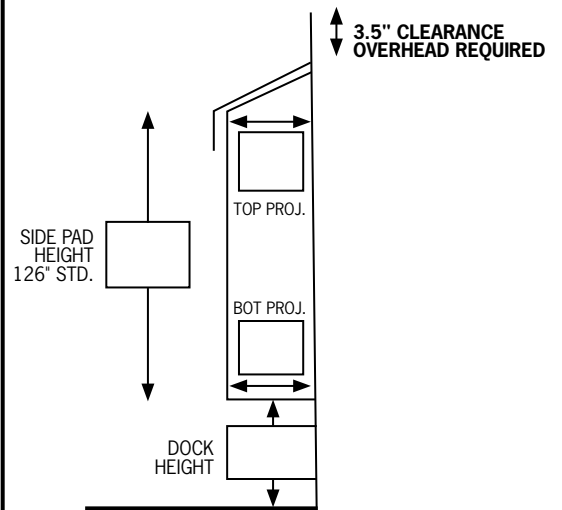
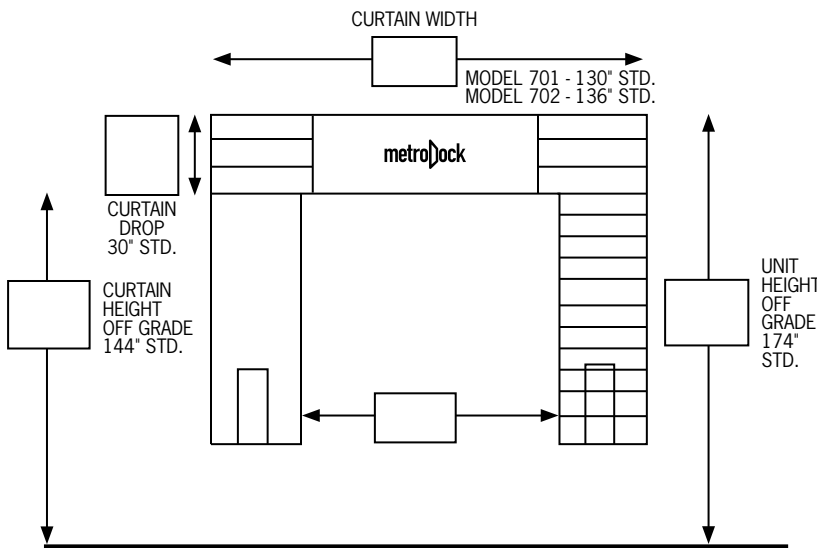
# FOAM FRAME L-PAD DOCK SEAL

Customer:		
Contact: (Name:)		Phone:
PO#:	Date: mm/dd/yy:	Tag:

Door Opening:	" W x	" H
Dock Height:	"	Bumper Projection: "
Approach:	<input type="checkbox"/> Level	<input type="checkbox"/> Decline <input type="checkbox"/> Incline
Height @ 50':	"	% of Grade: "
Quantity:	Colour:	
Base Fabric:	<input type="checkbox"/> 22oz <input type="checkbox"/> 40oz	

WEAR PLEATS:

Fabric:	<input type="checkbox"/> 22oz	<input type="checkbox"/> 40oz	Exposure:	<input type="checkbox"/> 4"	<input type="checkbox"/> 6"	<input type="checkbox"/> 8"
<input type="checkbox"/> Full Height Guide Stripe						



APPROVED BY: \_\_\_\_\_

mm/dd/yy: \_\_\_\_\_

NOTES / OPTIONS: \_\_\_\_\_

\_\_\_\_\_

\_\_\_\_\_