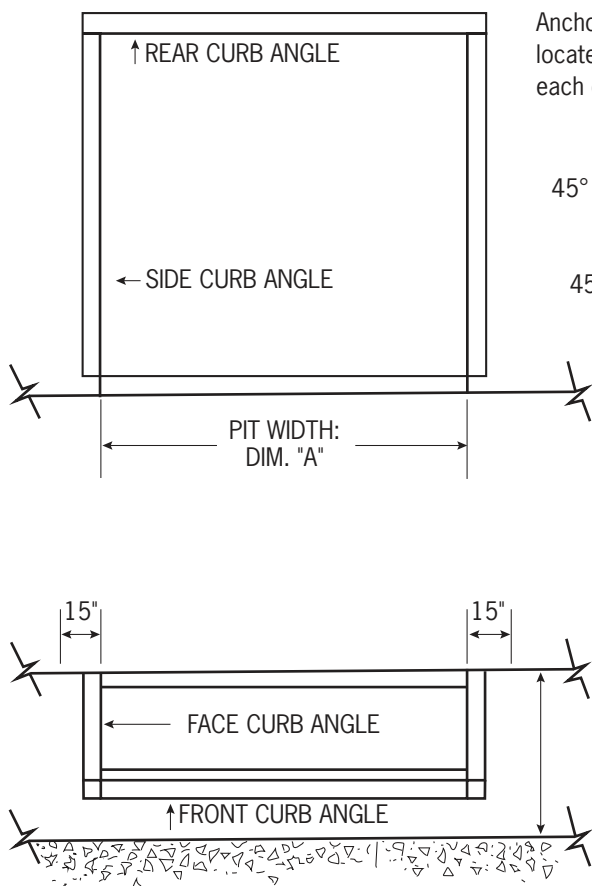
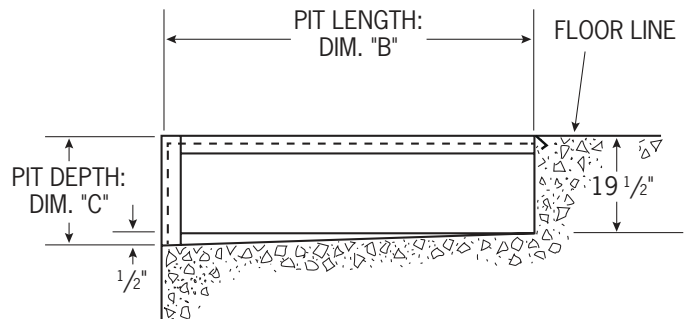
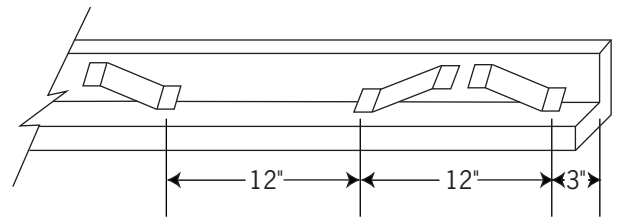
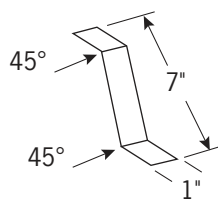


CURB ANGLES



Anchor layout for 3 x 3 x 3/16" curb angle. Concrete anchors to be 7" long located 45° to angle surfaces and placed on 12" centres with one anchor 3" from each end.



Set conduit - 1/4" (supplied by others) before pouring concrete. Required on hydraulic units only.

MODEL	DIM: "A"	DIM: "B"	DIM: "C"
66	74"	60"	20"
68	74"	84"	20"
610	74"	108"	20"
76	85"	60"	20"
78	85"	84"	20"
710	85"	108"	20"

CURB ANGLE DATA				
SIZE	REAR ANGLE (1)	SIDE ANGLE (2)	FACE ANGLE (2)	FRONT ANGLE (1)
6 x 6	80"	60"	20"	80"
6 x 8	80"	84"	20"	80"
6 x 10	80"	108"	20"	80"
7 x 6	91"	60"	20"	91"
7 x 7	91"	84"	20"	91"
7 x 10	91"	108"	20"	91"

FOR SIZES NOT SHOWN CONSULT FACTORY.